



Single Acting Hydraulic Telescopic Cylinder

Series SAT



ENGINEERING YOUR SUCCESS.

Updated Design from the Industry Leader

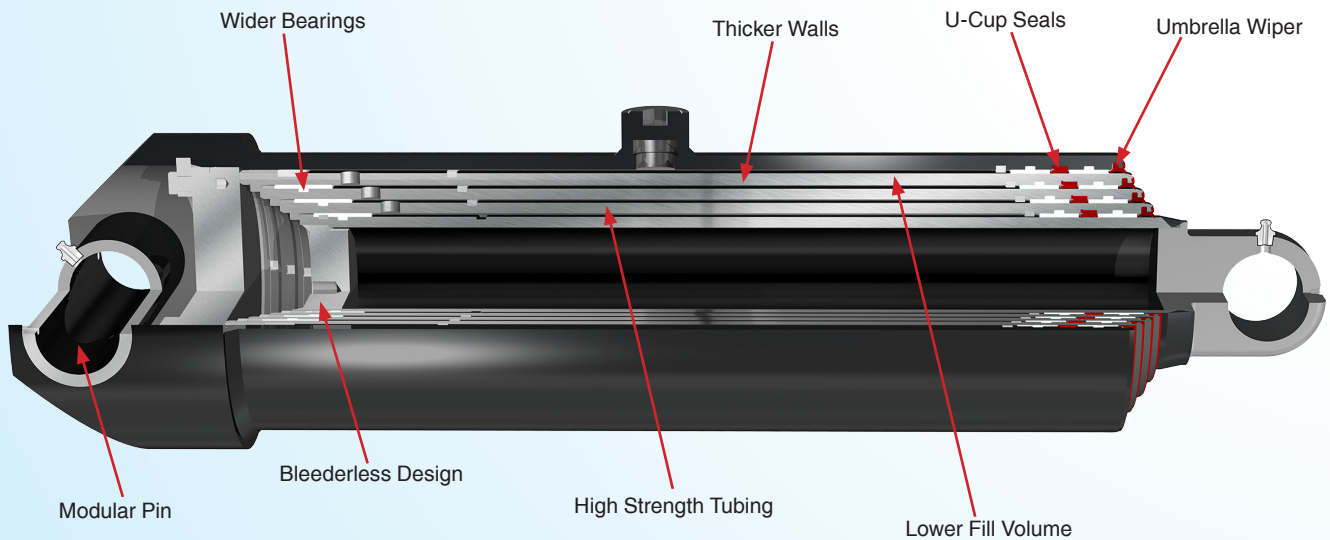
Parker Cylinder Division has been manufacturing hydraulic cylinders for over 100 years and is a leading supplier to the truck, mining, material handling, and refuse markets. The SAT Series cylinder continues the company's

dedication to providing industry leading products focused on reducing the long term costs of operating critical capital equipment. This updated design provides the following benefits over our existing product offering:

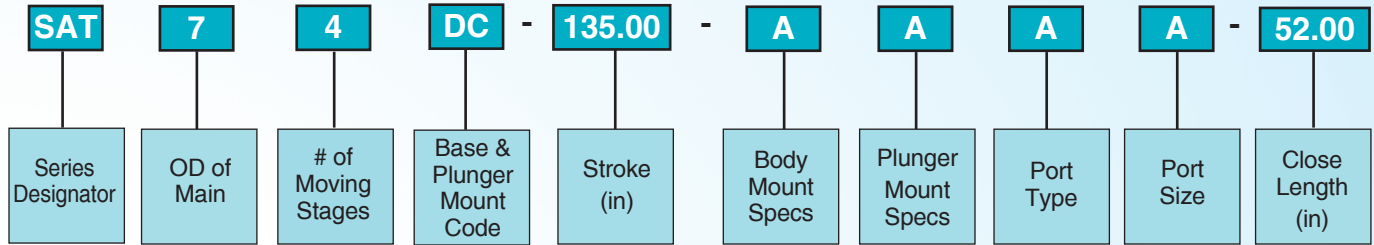


Design Features

Increased Operating Pressure	Cylinder rated to handle 2500 psi operating pressure representing a 25% increase over current product offering
Increased Lifting Force	Larger plunger size and increased operating pressure result in increased lifting force over current cylinder
Improved Sealing Technology	Polyurethane U-Cup seals and Umbrella style wipers provide a more robust sealing package than existing cylinder
Reduced Weight	New cylinder design is on average 4% lighter due to smaller gaps between stages requiring less hydraulic fluid to fill cylinder
Reduced Cycle Time	Decreased space between sleeves and less oil to fill cylinder results in 13% average reduction in cylinder cycle time
Increased Safety Factor	Thicker walls and wider bearings result in a 25% average improvement to cylinder column strength



Model Code Description



Standard Sizes

Part Number	Model	Stroke (in)	Closed (in)	Open (in)	Base Pin Dia & Mount Width (in)	Plunger Pin Dia & Mount Width (in)	Pressure Rating (PSI)
1HSAT000250001	SAT53DC84.00-ABAA-41.19	84.00	41.19	125.19	2.00 X 7.00	1.63 X 1.50	2500
1HSAT000250002	SAT53DC104.00-AAAB-47.69	104.00	47.69	151.69	2.00 X 7.00	1.75 X 2.00	2500
1HSAT000250003	SAT53DC107.00-AAAB-48.50	107.00	48.50	155.50	2.00 X 7.00	1.75 X 2.00	2500
1HSAT000250004	SAT53DC126.00-AAAB-54.81	126.00	54.81	180.81	2.00 X 7.00	1.75 X 2.00	2500
1HSAT000250005	SAT53DC72.00-ABAA-37.19	72.00	37.19	109.19	2.00 X 7.00	1.63 X 1.50	2500
1HSAT000250006	SAT53DC120.00-BCDB-52.81	120.00	52.81	172.81	2.00 X 7.75	1.75 X 1.50	2500
1HSAT000250007	SAT53DC123.00-BCDB-54.50	123.00	54.50	177.50	2.00 X 7.75	1.75 X 1.50	2500
1HSAT000250008	SAT63DC123.00-AAAB-54.94	123.00	54.94	177.94	2.00 X 7.00	2.00 X 2.00	2500
1HSAT000250009	SAT63DC140.25-AAAB-59.81	140.25	59.81	200.06	2.00 X 7.00	2.00 X 2.00	2500
1HSAT000250010	SAT63DC104.00-AAAB-47.50	104.00	47.50	151.50	2.00 X 7.00	2.00 X 2.00	2500
1HSAT000250011	SAT63DC107.00-AAAB-48.50	107.00	48.50	155.50	2.00 X 7.00	2.00 X 2.00	2500
1HSAT000250012	SAT63DC120.06-AAAB-52.81	120.00	52.81	172.81	2.00 X 7.00	2.00 X 2.00	2500
1HSAT000250013	SAT63DC126.31-AAAB-54.81	126.00	54.81	180.81	2.00 X 7.00	2.00 X 2.00	2500
1HSAT000250014	SAT63DC126.00-CCDB-55.50	126.00	55.50	181.50	2.38 X 8.00	2.13 X 1.50	2500
1HSAT000250040	SAT63DC129.56-AACB-56.00	129.56	56.00	185.56	2.00 X 7.00	2.00 X 2.00	2500
1HSAT000250015	SAT63DC150.00-CCDB-66.00	150.00	66.00	216.00	2.38 X 8.00	2.13 X 1.50	2500
1HSAT000250016	SAT63DC162.00-CCDB-67.50	162.00	67.50	229.50	2.38 X 8.00	2.13 X 1.50	2500
1HSAT000250017	SAT63DC111.00-AAAB-49.94	111.00	49.94	160.94	2.00 X 7.00	2.00 X 2.00	2500
1HSAT000250018	SAT63DC138.00-CCDB-59.50	138.00	59.50	197.50	2.38 X 8.00	2.13 X 1.50	2500
1HSAT000250019	SAT64DB135.00-DAAE-47.19	135.00	47.19	182.19	1.75 X 8.00	1.50 X 2.69	2500
1HSAT000250020	SAT64DB156.00-DAAE-53.19	156.00	53.19	209.19	1.75 X 8.00	1.50 X 2.69	2500
1HSAT000250021	SAT64DC156.00-EAAB-53.62	156.00	53.62	209.62	2.00 X 7.25	2.00 X 1.75	2500
1HSAT000250022	SAT73DC124.62-AAAB-54.81	124.62	54.81	179.43	2.00 X 8.25	2.00 X 2.00	2500
1HSAT000250023	SAT73DC140.18-AAAB-60.00	140.18	60.00	200.18	2.00 X 8.25	2.00 X 2.00	2500
1HSAT000250024	SAT74DC135.00-AAAB-48.44	135.00	48.44	183.44	2.00 X 8.25	2.00 X 2.00	2500
1HSAT000250025	SAT74DC161.75-AAAB-55.31	161.75	55.31	217.06	2.00 X 8.25	2.00 X 2.00	2500
1HSAT000250026	SAT74DC180.00-AAAB-61.12	180.00	61.12	241.12	2.00 X 8.25	2.00 X 2.00	2500
1HSAT000250027	SAT74DC140.00-AAAB-49.75	140.00	49.75	189.75	2.00 X 8.25	2.00 X 2.00	2500
1HSAT000250028	SAT74DC167.00-AAAB-56.25	167.00	56.25	223.25	2.00 X 8.25	2.00 X 2.00	2500
1HSAT000250029	SAT74DC156.00-AAAB-53.75	156.00	53.75	209.75	2.00 X 8.25	2.00 X 2.00	2500
1HSAT000250030	SAT84DC180.00-AAAF-59.75	180.00	59.75	239.75	2.00 X 9.50	2.00 X 2.00	2500
1HSAT000250031	SAT84DC188.00-AAAF-61.75	188.00	61.75	249.75	2.00 X 9.50	2.00 X 2.00	2500
1HSAT000250032	SAT84DC161.00-AAAF-55.75	161.00	55.75	216.75	2.00 X 9.50	2.00 X 2.00	2500
1HSAT000250033	SAT85DC220.00-AAAF-60.00	220.00	60.00	280.00	2.00 X 9.50	2.00 X 2.00	2500
1HSAT000250034	SAT85DC189.00-AAAF-54.62	189.00	54.62	243.62	2.00 X 9.50	2.00 X 2.00	2500
1HSAT000250035	SAT85DC249.00-AAAF-68.62	249.00	68.62	317.62	2.00 X 9.50	2.00 X 2.00	2500
1HSAT000250036	SAT85DC265.00-AAAF-71.00	265.00	71.00	336.00	2.00 X 9.50	2.00 X 2.00	2500
1HSAT000250037	SAT85DC234.00-AAAF-64.62	234.00	64.62	298.62	2.00 X 9.50	2.00 X 2.00	2500

1. Custom Cylinders available upon request. 2. Base and Plunger Pin Diameters are for nominal size of recommended pins.

Parker Hannifin Corporation
Cylinder Division
500 South Wolf Road
Des Plaines, IL 60016 USA
phone (847) 298-2400
fax (800) 892-1008
www.parker.com/cylinder

